

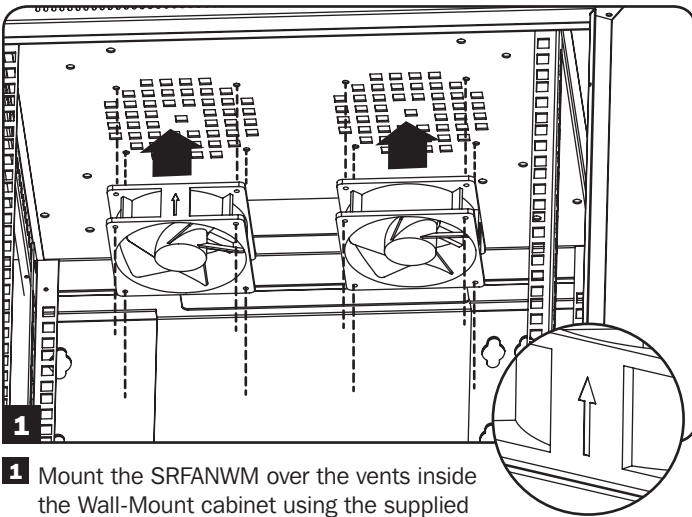
Assembly Instructions

SRFANWM

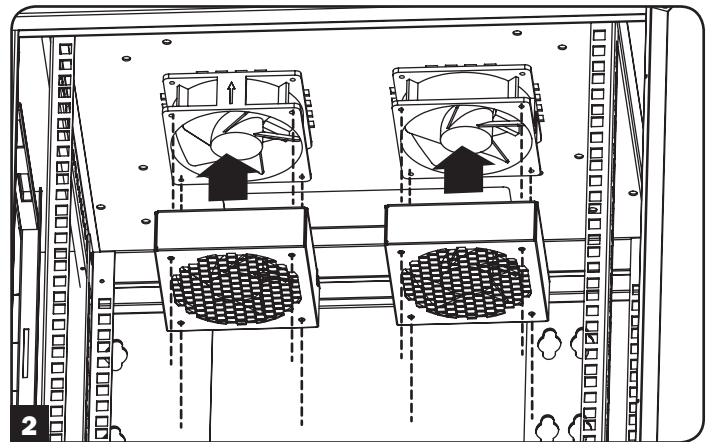
Wall-Mount Enclosure Cooling Solution

Recommended Installation

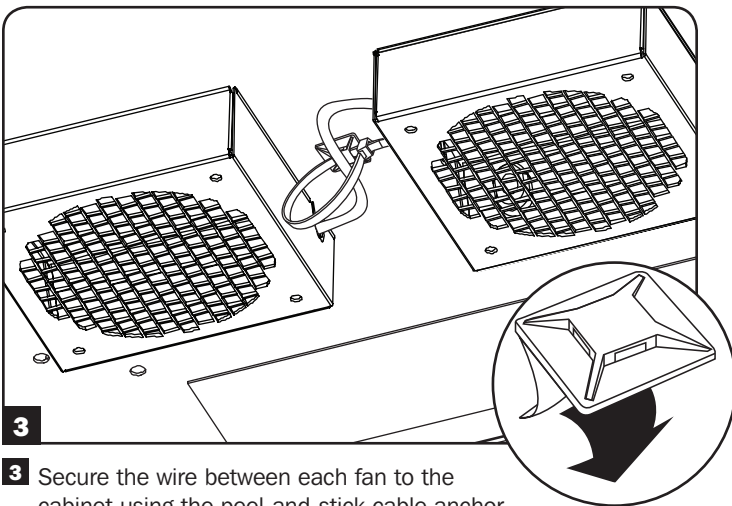
Fans mounted inside the Wall-Mount cabinet draw air out of the cabinet to provide proper equipment cooling.



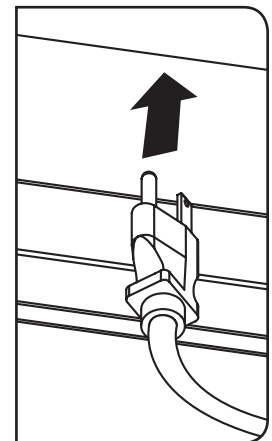
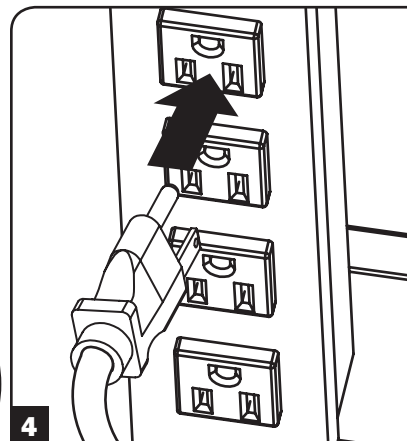
- 1** Mount the SRFANWM over the vents inside the Wall-Mount cabinet using the supplied hardware, with airflow arrows and label facing toward the top of the cabinet.



- 2** Mount the shroud casing over the fans using the supplied hardware.



- 3** Secure the wire between each fan to the cabinet using the peel-and-stick cable anchor with tie.



- 4** Plug the SRFANWM input cable into a power source, such as an internal PDU. For external power connection, utilize the removable cable access panel.

**See Reverse for Alternative
Installation Option**

TRIPP·LITE

1111 W. 35th Street • Chicago, IL 60609 USA
www.tripplite.com/support

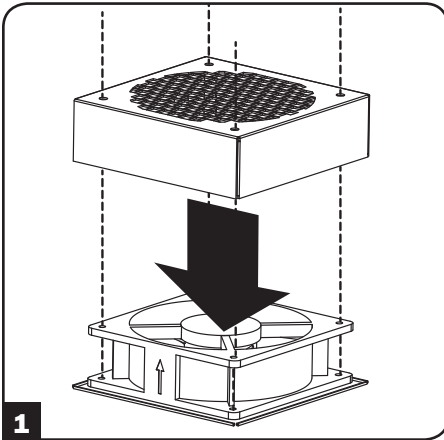
Assembly Instructions

SRFANWM

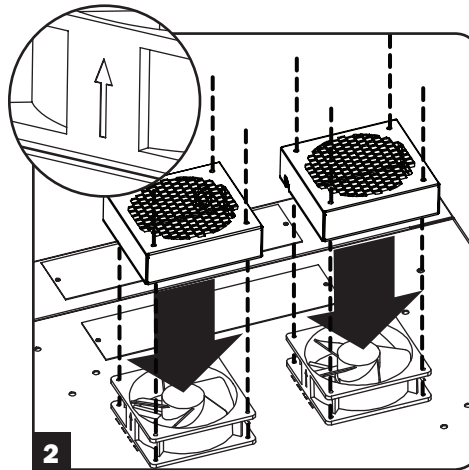
Wall-Mount Enclosure Cooling Solution

Alternative Installation

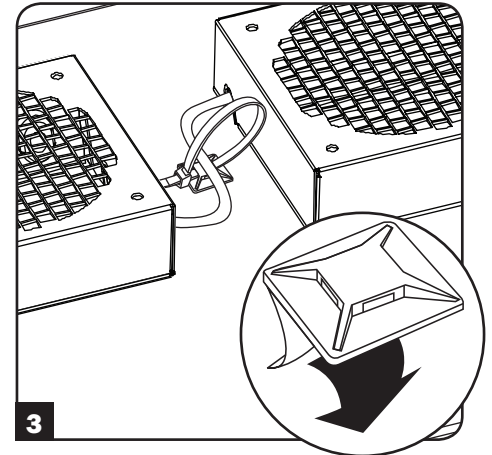
Fans mounted outside the Wall-Mount cabinet draw air out of the cabinet for proper equipment cooling.



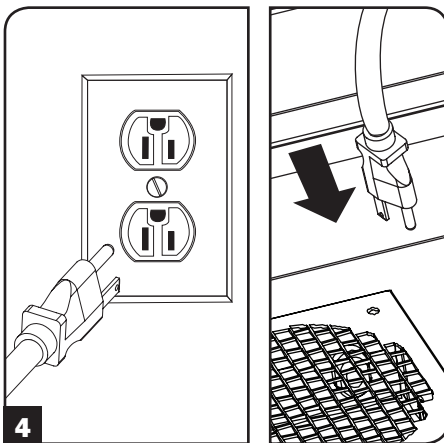
1 For external installation, begin by installing the fan into the shroud using the supplied hardware.



2 Mount the assembly over the vents on the exterior of the Wall-Mount cabinet, threading the screws from the inside of the cabinet.



3 Secure the wire between each fan to the cabinet using the peel-and-stick cable anchor with tie.



4 Plug the SRFANWM input cable into a power source, such as an external PDU. For connection to an internal PDU, utilize the removable cable access panel.

SAVE THESE INSTRUCTIONS

This manual contains instructions and warnings that must be followed during the installation and operation of the product described in this manual. Read all instructions and warnings thoroughly before attempting installation. Failure to comply may affect the warranty and cause property damage and personal injury.

- Install in a controlled indoor environment, away from moisture, temperature extremes, flammable liquids and gasses, conductive contaminants, dust and direct sunlight.
- Inspect the shipping container and the unit for shipping damage. Do not use the unit if it is damaged.
- Connect the unit to an outlet that is provided with appropriate overcurrent protection.
- When using tools, use eye protection and follow all other safety precautions recommended by the tool manufacturer and required by applicable regulations.
- Keep hair, clothing and loose objects away from the fan intakes. There is a risk of property damage and personal injury.
- Do not block, cover or insert objects into the openings of the unit.
- Use of this equipment in life support applications where failure of this equipment can reasonably be expected to cause failure of the life support equipment or to significantly affect its safety or effectiveness is not recommended. Do not use this equipment in the presence of a flammable anesthetic mixture with air, oxygen or nitrous oxide.



1111 W. 35th Street • Chicago, IL 60609 USA
www.tripplite.com/support

© 2011 Tripp Lite. All rights reserved.

201105092 93-3111